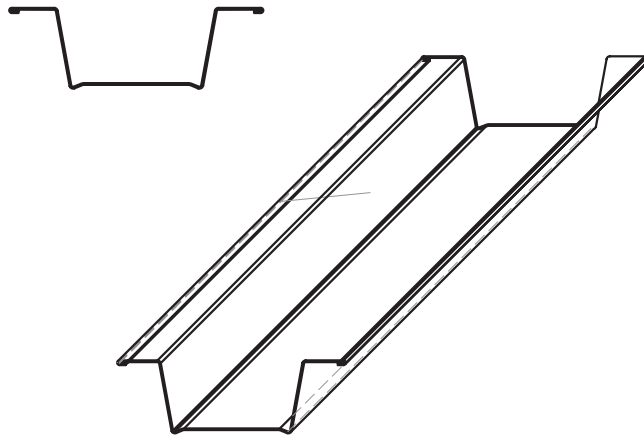


USG BORAL DRYWALL SUSPENSION - FURRING CHANNELS

PRODUCT CATEGORIES

Furring Channels :

Are hat channels used to hold wall boards in Drywall ceiling and wall lining applications. It is also used as framings for drop down ceiling.



MATERIAL PROPERTIES

Yield stress, Fy 33 ksi Ultimate, with G90 Zinc coating

ASTM & CODE STANDARDS

- Furring Channels are produced to meet or exceed ASTM C645 and C955
- Galvanized sheet steel meets or exceeds requirements of ASTM A-653
- For installation & storage information refer to ASTM C1007 & C754

GREEN BENEFITS AND RECYCLED CONTENT

LEED Credit MR 2 - USG Boral products are manufactured from cold-formed steel. Steel is 100% recyclable, which helps divert debris from the waste stream.

LEED Credit MR 4 - USG Boral steel products have a minimum of 25.5% post-consumer recycled content, and 6.8% pre-consumer.

SECTION & MATERIAL PROPERTIES TABLE NOTES

| Type | Thickness (mm) | Omega Flange (mm) | Omega Depth (mm) | Section Area (mm ²) | Centroid (mm) | Moment of inertia (I _{xx})(mm ⁴) | Section Modulus (S _x)(mm ³) | Radius of Gyration (mm) | Steel Mechanical Properties | | |
|------------------|----------------|-------------------|------------------|---------------------------------|---------------|--------------------------------------------------------|-----------------------------------------------------|-------------------------|----------------------------------|------------------------------------|----------------|
| | | | | | | | | | Yield strength N/mm ² | Tensile strength N/mm ² | Elongation (%) |
| Furring Channels | 0.45 | 22.00 | 69 | 48.6 | 11.11 | 3,695.00 | 339.00 | 8.72 | 297-308 | 366-372 | 29-30 |
| | 0.50 | 22.00 | | 54 | 11.12 | 4,084.00 | 375.00 | 8.70 | 297-308 | 366-372 | 30-31 |
| | 0.55 | 22.00 | | 59.4 | 11.13 | 4,470.00 | 411.00 | 8.67 | 297-308 | 366-372 | 30-31 |
| | 0.60 | 22.00 | | 64.8 | 11.15 | 4,851.00 | 447.00 | 8.65 | 297-308 | 366-372 | 29-30 |
| | 0.70 | 22.00 | | 75.6 | 11.17 | 5,604.00 | 518.00 | 8.61 | 297-308 | 366-372 | 30-31 |
| | 0.80 | 22.00 | | 88 | 11.20 | 6,340.00 | 587.00 | 8.49 | 297-308 | 366-372 | 30-31 |
| | 0.90 | 22.00 | | 99 | 11.23 | 7,063.00 | 656.00 | 8.45 | 297-308 | 366-372 | 29-30 |
| | 1.20 | 22.00 | | 132 | 11.31 | 9,147.00 | 855.80 | 8.32 | 297-308 | 366-372 | 30-31 |
| | 1.50 | 22.00 | | 165 | 11.39 | 11,118.00 | 1,048.00 | 8.21 | 297-308 | 366-372 | 30-31 |

PACKAGING

| | | |
|------------------|------------------|---------|
| Furring Channels | 0.45 mm - 0.7 mm | 480 Pcs |
| | 0.8 mm - 1.5 mm | 256 Pcs |