

USG - W05 - WALL PARTITION SYSTEM

INTERNAL PARTITION

USG Middle East

Main Office:
7410 (Wasil), Street #23, Cross 76. 2nd Industrial City
Dammam 34425-4201, Kingdom of Saudi Arabia
+966 13 812 0095

www.usgme.com

Project Name

Title : Project Status

Owner

Architect

Status Study Execution Installation

Examined and approved by the customer

Scale : as shown

Reference-Drawing : -

Created : /

Checked : /

Drawing :

Revision: 1

Revised

©2020 Factory of USG Middle East LTD. Co. All rights reserved.
FACTORY OF USG MIDDLE EAST reserves all rights to the information disclosed in this drawing. Such information may not be copied nor forwarded in any other form to third parties without the express consent in writing of Factory USG Middle East for the purpose of manufacture or purchase of the products or parts shown.

Final revision to be issued and approved by USG ME Technical Team

General Notes:

Client Stamp:

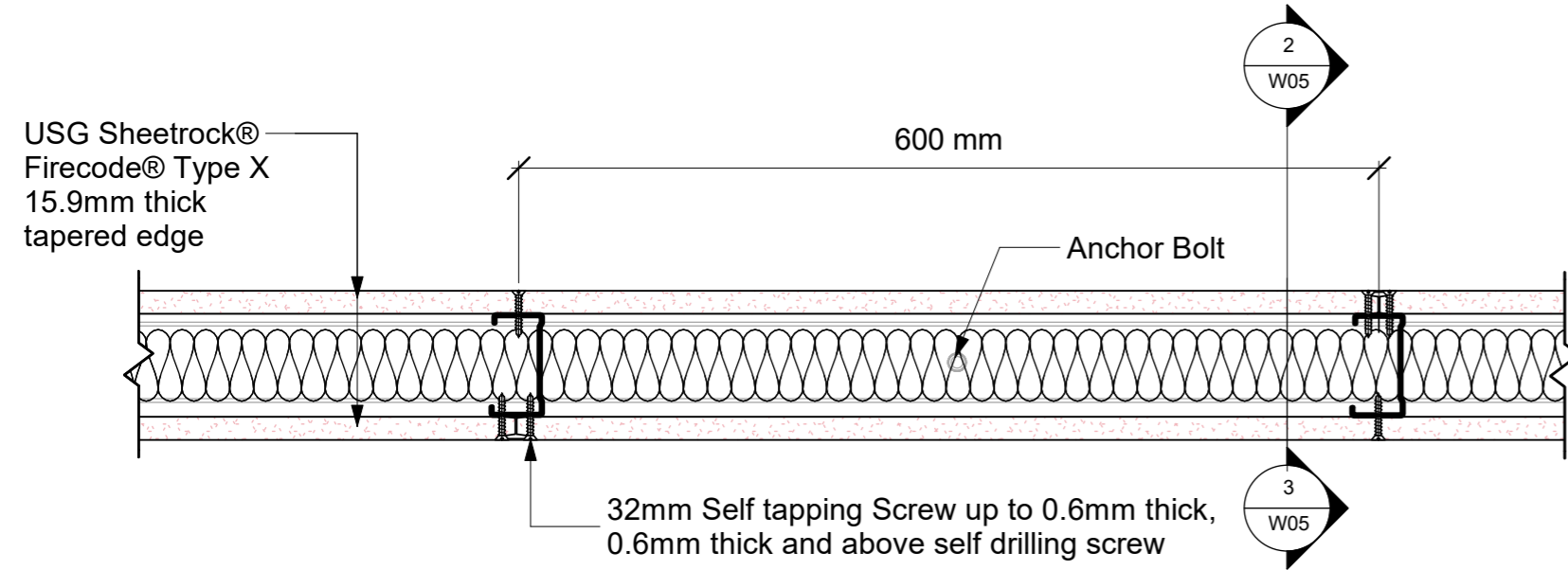
Client Logos

Project Date:

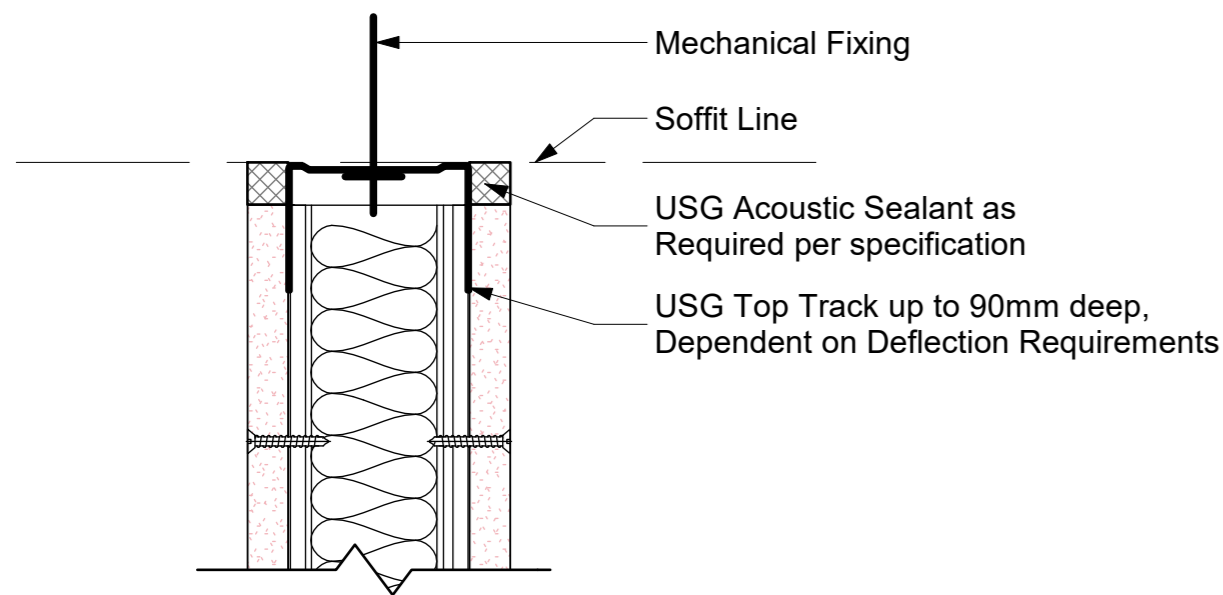
Drawing Number:

W05

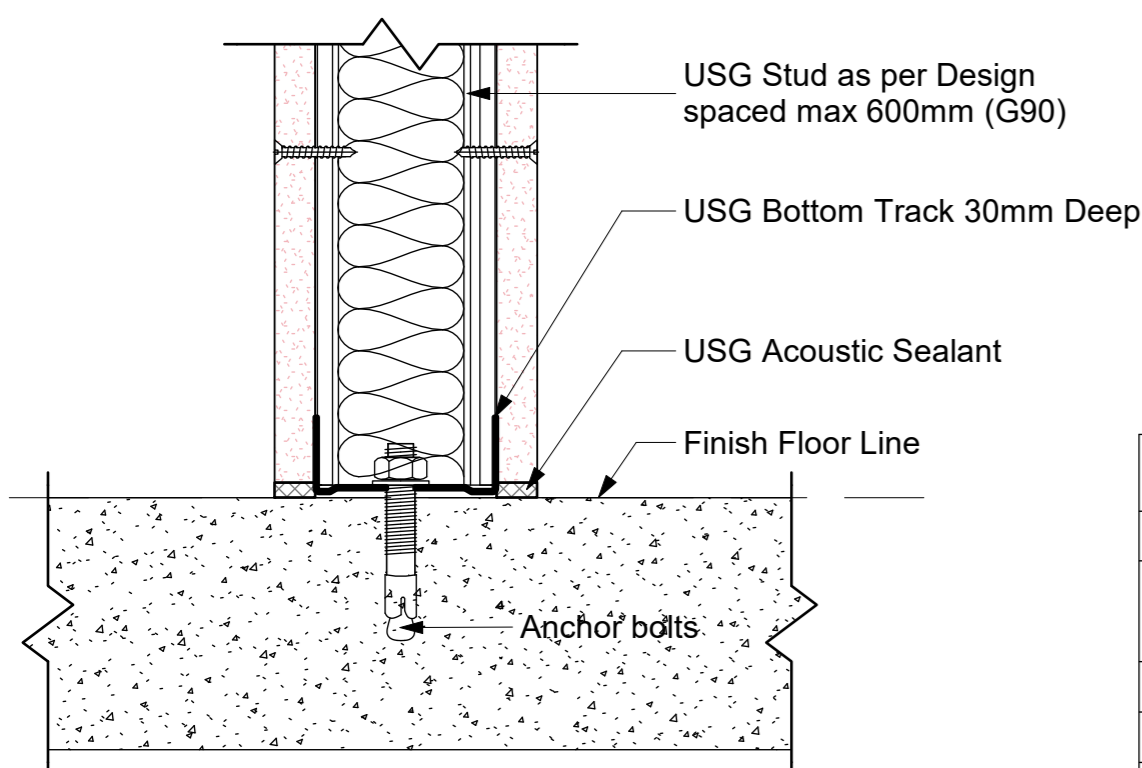
Scale : as shown



1 Cut Plan
1 : 5



2 Wall Section-Top
1 : 3



3 Wall Section-Bottom
1 : 3

Insulation as Required (See Table)

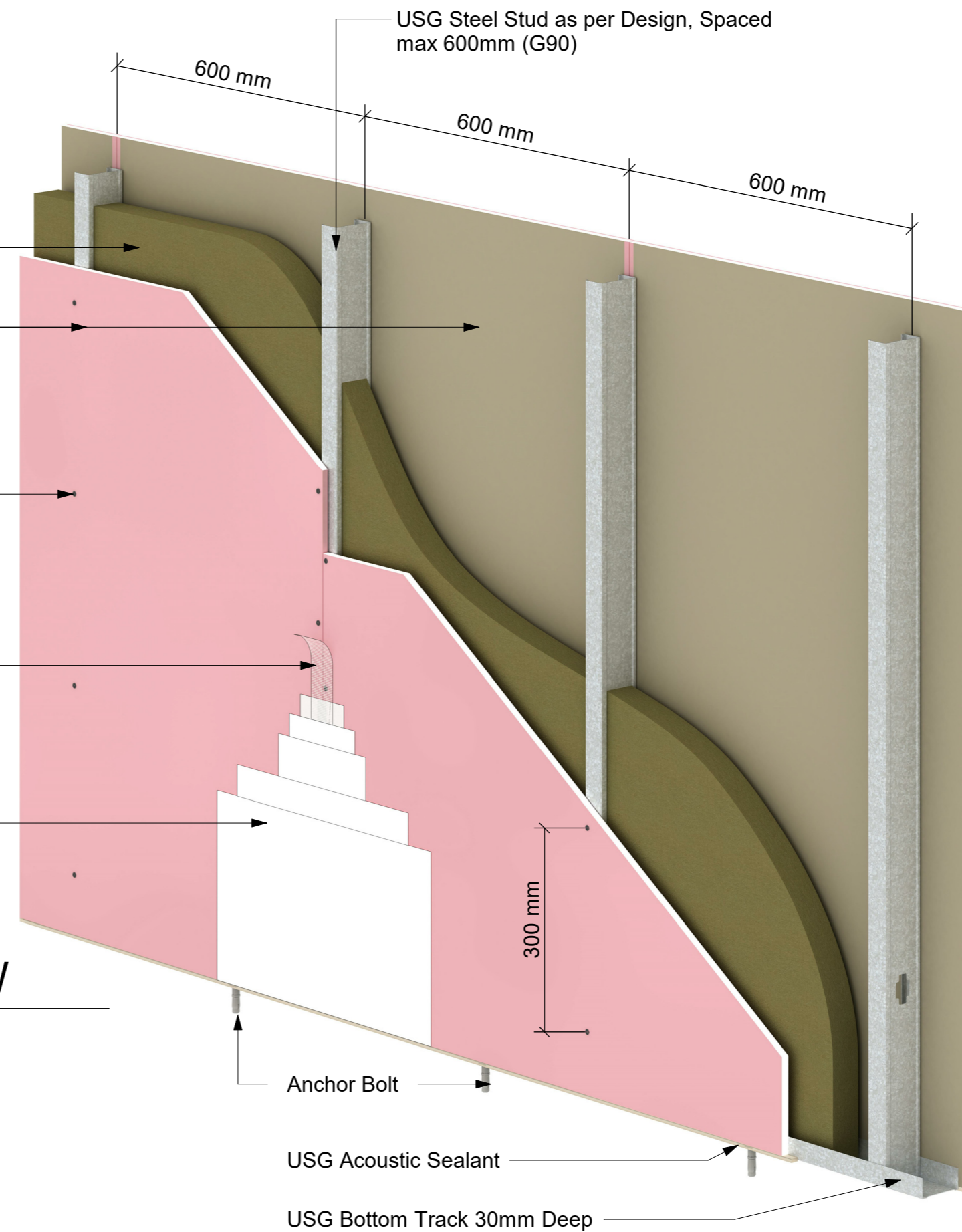
USG Sheetrock® Firecode® Type X 15.9mm thick tapered edge

32mm Self tapping Screw up to 0.6mm thick, 0.6mm thick and above self drilling screw

Joint Tape

Finishing (See Table)

4 3D VIEW
NTS



System Performance Table						
Boarding	1 x 15.9mm Type-X both side of the C-Stud				RW/dB	Fire Rating
	Insulation					
Stud Size	16kg/m ³	24kg/m ³	40kg/m ³	No Insul.		
62mm	-	-	-	-	-	-
72mm	-	-	-	-	-	-
92mm	-	-	-	-	-	-
92mm	-	-	-	-	-	-

Wall Finishes Schedule	
Finishes Level	Finishing Materials
1	USG-Sheetrock® All Purpose Joint Compound / Premium Premix
2	USG-Sheetrock® All Purpose Joint Compound / Premium Premix
3	USG-Sheetrock® All Purpose Joint Compound / Premium Premix
4	USG-Sheetrock® All Purpose Joint Compound / Premium Premix Skim Coat
5	USG-Tuff Hide Sheetrock® Brand Tuff Hide Primer Surfacer