

# CELEBRETTO®

## GEOMETRIX





**CERTIFIED**  
ENVIRONMENTAL  
PRODUCT DECLARATION  
(EPD)

PRODUCT CERTIFIED FOR ENVIRONMENTAL PRODUCT DECLARATION



**HIGH SOUND ABSORPTION**

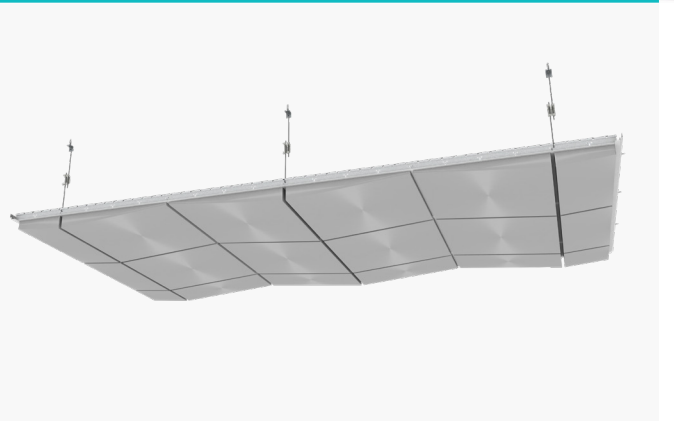


**CEILING ATTENUATION CLASS**



**HEALTHCARE APPLICATION**

### GEOMETRIX DRAWINGS



### AVAILABLE FINISHES



Explore our complete range of options in **CELEBRETTO® Colors, Finishes and Perforations Pattern** catalogue for detailed insights.

### SOUND ABSORPTION

Frequency, Hz	125	250	500	1000	2000	4000	NRC*
A1 Pattern** with Acoustic Fleece	0.70	<b>0.95</b>	<b>0.75</b>	<b>0.75</b>	<b>0.80</b>	0.80	<b>0.75</b>
A1 Pattern** with Infill***	0.70	<b>0.90</b>	<b>1.0</b>	<b>1.0</b>	<b>1.0</b>	1.0	<b>1.0</b>

\* Calculated to ASTM C 423-01  
 \*\* A1 Pattern: Diagonal Pattern. Hole Size Dia: 1.8mm, Open Area: 20%  
 \*\*\* Infill: Acoustic Fleece and 30mm Soft Fiber with Aluminium Foil

## FEATURES AND BENEFITS

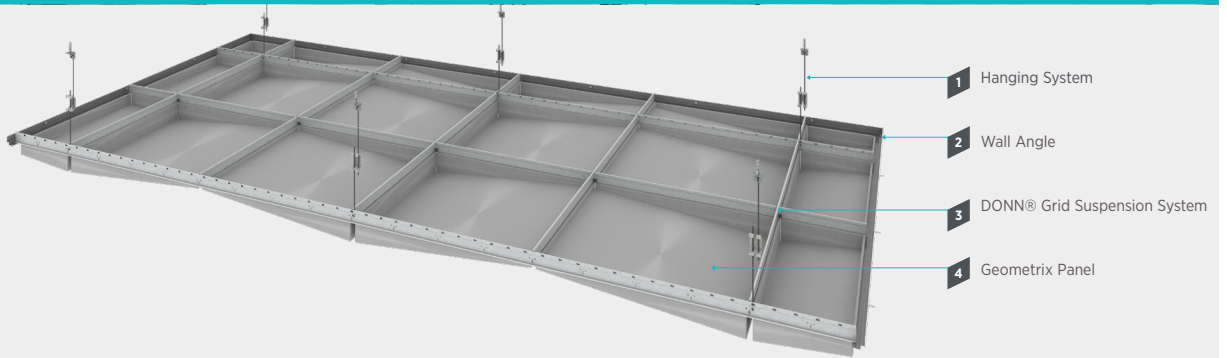
- Multiple panels depths lend new dimension to ceiling design
- Panel depths of 7mm-200mm provide an array of possibilities for the architect.
- 600x600mm lay-in panels are compatible with USG Middle East DONN® brand suspension systems for T24 or T15.
- Plain or perforated panels.
- Available in custom colors for design versatility.
- Panel configuration is available for flat panels and wedge panels.
- Certificated for Environmental Product Declaration (EPD) as per ISO 14025.

## APPLICATIONS

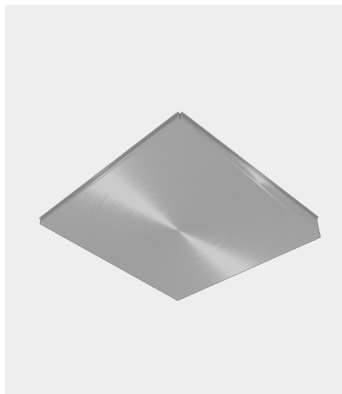
- All commercial applications
- Wall to wall ceilings
- Schools
- Executive offices
- Reception and lobby areas
- New construction or renovation



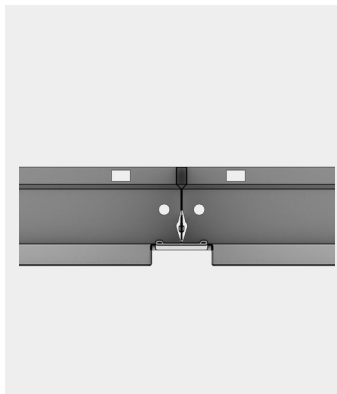
## GEOMETRIX SYSTEM DRAWINGS



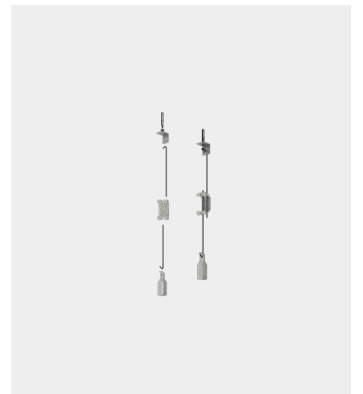
# SYSTEM COMPONENTS



Geometrix Panel



Suspension System (DONN® Brand)



Hanging System





SYSTEM SPECIFICATION

**Material Classification**

Type C,  
Form C1, C2,  
Pattern A, B, C, G

**Panel Thickness**

Powder coat finish: 0.6mm - 1.4mm  
Wooden finish: 0.6mm

**Panel Size**

600x600mm

**Panel Depth (Height)**

7mm - 200mm

**Edge**

Lay-in square edge

**Light Reflectance Coefficient [LR]**

Based on the finish color and perforation pattern, LR up to 0.82

**Color**

Standard colors are RAL 9005, RAL 9006, RAL 9016.  
Other RAL colors are available upon request.

**Surface Burning Characteristics per ASTM E 84**

Class A

**Additional Information**

- Thickness depends on panel sizes and project requirements
- Consult USG Middle East technical team for other panel sizes

**GEOMETRIX CEILING ACOUSTICAL PERFORMANCE**

USG Middle East supplies metal ceiling panels with a range of acoustical performance to meet the needs of all kinds of projects. Various sound-absorbing backing options are available with performance up to 1.0 NRC and 34dB CAC. Consult with the USG Middle East technical team for further guidance.

PATTERN	OPEN AREA%	CELEBRETTO® METAL CEILING INFILL OPTIONS	CAC	NRC
A1	20%	Acoustic fleece	-	0.75
A1	20%	19mm Soft Fiber infill	-	0.90
A1	20%	15mm Mineral Fiber infill	32	-
A1	20%	Acoustic fleece with 30mm Stonewool & 19mm Mineral Fiber infill	32	0.90
A1	20%	Acoustic fleece with 25mm Glasswool & 12mm Gypsum infill	30	0.85
A1	20%	Acoustic fleece with 30mm Stonewool & Aluminum Foil	34	1.00
B2	16%	Acoustic fleece	-	0.60
15D	22%	Acoustic fleece	-	0.60
15D	22%	Acoustic fleece with 30mm Stonewool & Aluminum Foil	30	0.80
15E	11%	Acoustic fleece	-	0.65
15E	11%	Celebretto Metal Ceiling with acoustic fleece and 30mm Stonewool & Aluminum Foil	27	0.80
7E	1%	Celebretto Metal Ceiling with acoustic fleece	-	0.65
7E	1%	Celebretto Metal Ceiling with acoustic fleece and 30mm Stonewool & Aluminum Foil	26	0.90

- A1 Pattern: Diagonal Pattern, Hole Size Dia 1.8mm
- B2 Pattern: Even Pattern, Hole Size Dia 2.5mm
- 15D Pattern: Diagonal Pattern, Hole Size Dia 1.5mm

- 15E Pattern: Even Pattern, Hole Size Dia 1.5mm
- 7E Pattern: Even Pattern, Hole Size Dia 0.75mm

**INFILL OPTIONS\***

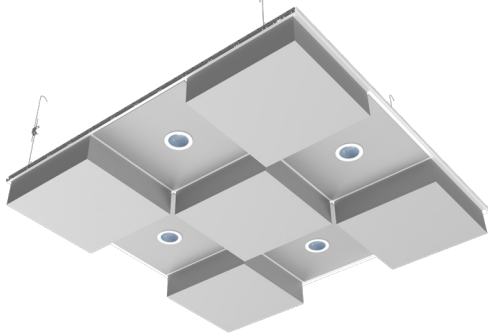
Plain	Acoustic Fleece	Acoustic Fleece and Soft Fiber	Acoustic Fleece and Mineral Fiber

\* Additional backer options available for NRC and CAC enhanced total acoustical performance

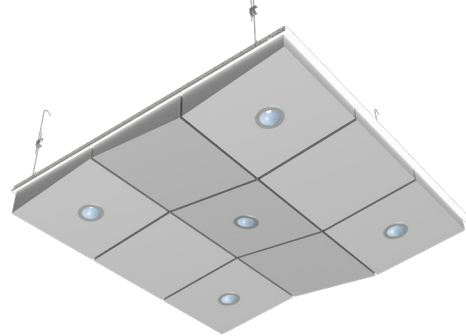


## GEOMETRIX DESIGNS

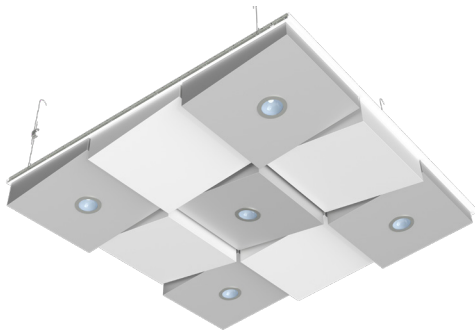
DESIGN 1



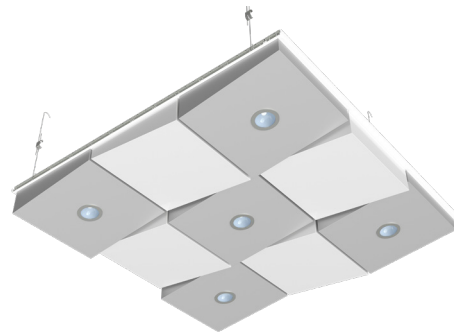
DESIGN 2



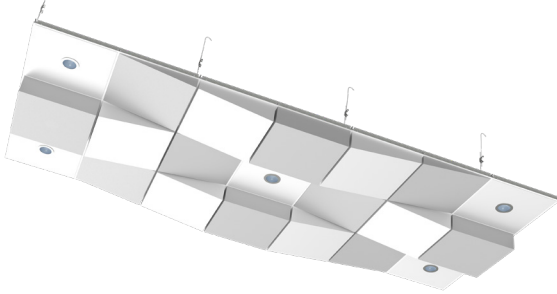
DESIGN 3



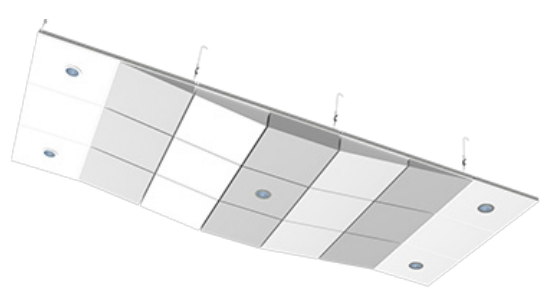
DESIGN 4



DESIGN 5



DESIGN 6



## PANEL CONFIGURATIONS

### FLAT PANEL



### WEDGE PANEL



## ITEM CODIFICATION

A: Aluminium  
 S: Steel  
 SS: Stainless Steel  
 LGX: Lay-in Geometrix  
 150: Panel Depth  
 N : Narrow (15 grid)  
 W: Wide (24 grid)  
 600600: Panel Dimensions  
 7: Material Thickness (0.7mm thickness)  
 R16: RAL 9016 Powder Coated Finish

# ALGX150N-6006007R16