

CELEBRETTO® INTERSECTO



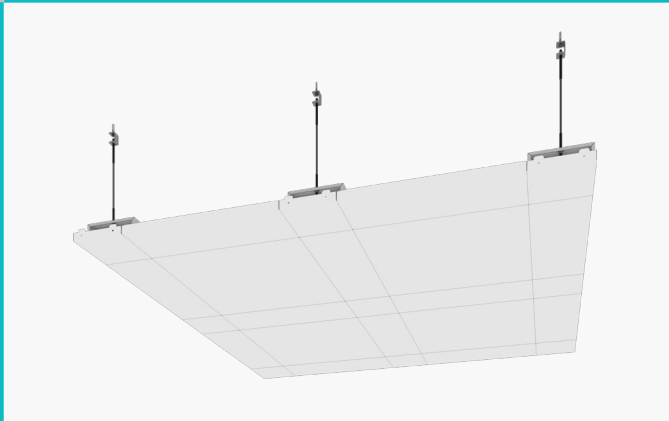
UL CERTIFIED
ENVIRONMENTAL PRODUCT DECLARATION (EPD) (ISO 14025)

HIGH SOUND ABSORPTION

CEILING ATTENUATION CLASS

HEALTHCARE APPLICATION

INTERSECTO DRAWINGS



AVAILABLE FINISHES



Explore our complete range of options in **CELEBRETTO® Colors, Finishes and Perforations Pattern** catalogue for detailed insights.

SOUND ABSORPTION

Frequency, Hz	125	250	500	1000	2000	4000	NRC*
A1 Pattern** with Infill***	0.50	0.60	0.65	0.75	0.70	0.70	0.70

* Calculated to ASTM C 423-01
 ** A1 Pattern: Diagonal Pattern. Hole Size Dia: 1.8mm, Open Area: 20%
 *** Infill: Acoustic Fleece and 30mm Soft Fiber

FEATURES AND BENEFITS

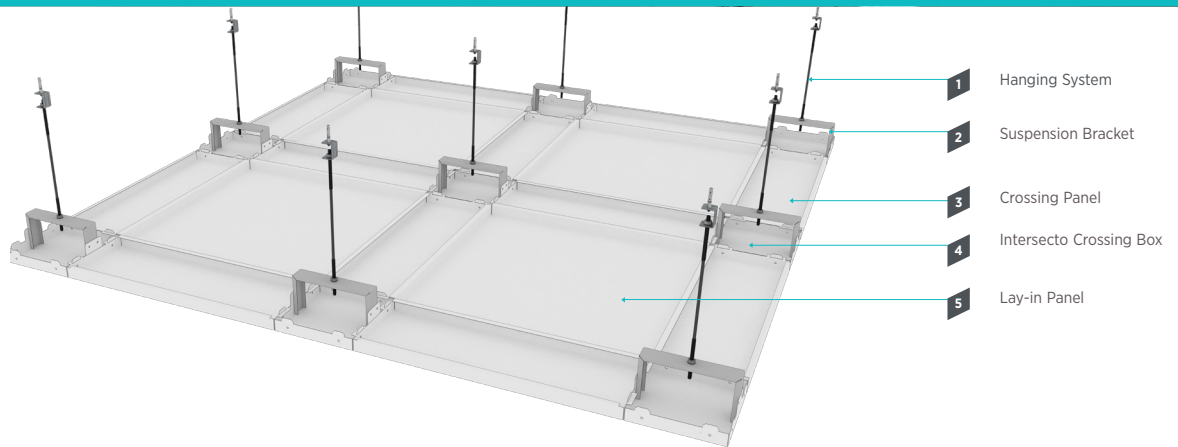
- Modern modular design, configurable options.
- The crossing panel can be aligned with partitions for optimum design configurations.
- The width of the crossing panel is adjustable from narrow to wide.
- The crossing box adds continuity and a special appearance to the ceiling design.
- All panels are demountable, allowing easy access to the plenum.
- Easy service integration.
- Certificated for Environmental Product Declaration (EPD) as per ISO 14025.

APPLICATIONS

- Public areas
- Reception
- Lobbies
- Office spaces
- Libraries
- Lecture halls
- Airports

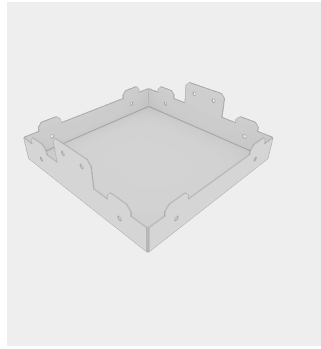


INTERSECTO SYSTEM DRAWINGS

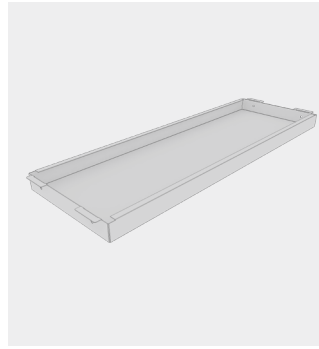




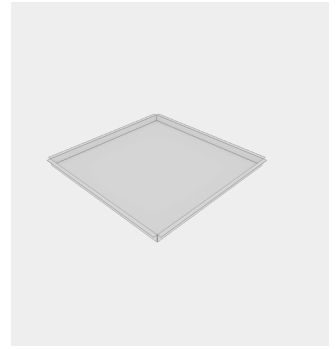
SYSTEM COMPONENTS



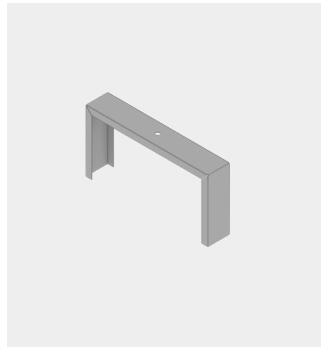
Crossing Box



Crossing Panel



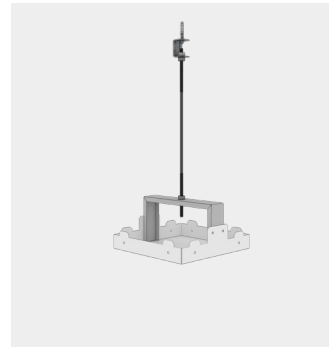
Lay-In Panel



Suspension Bracket



Hanging System



SYSTEM SPECIFICATION

Material Classification

Type C,
Form C1,
Pattern A, B, C, G

Thickness

Powder coat finish: 0.6mm - 1.4mm
Wooden finish: 0.6mm

Panel Height

30mm

Panel Size

Standard: 600x600mm
Crossing Panel Length
Up to 2400mm

Crossing Panel Width

100, 150 and 200mm

Color

Standard colors are RAL 9005, RAL 9006, RAL 9016.
Other RAL colors are available upon request.

Light Reflectance Coefficient [LR]

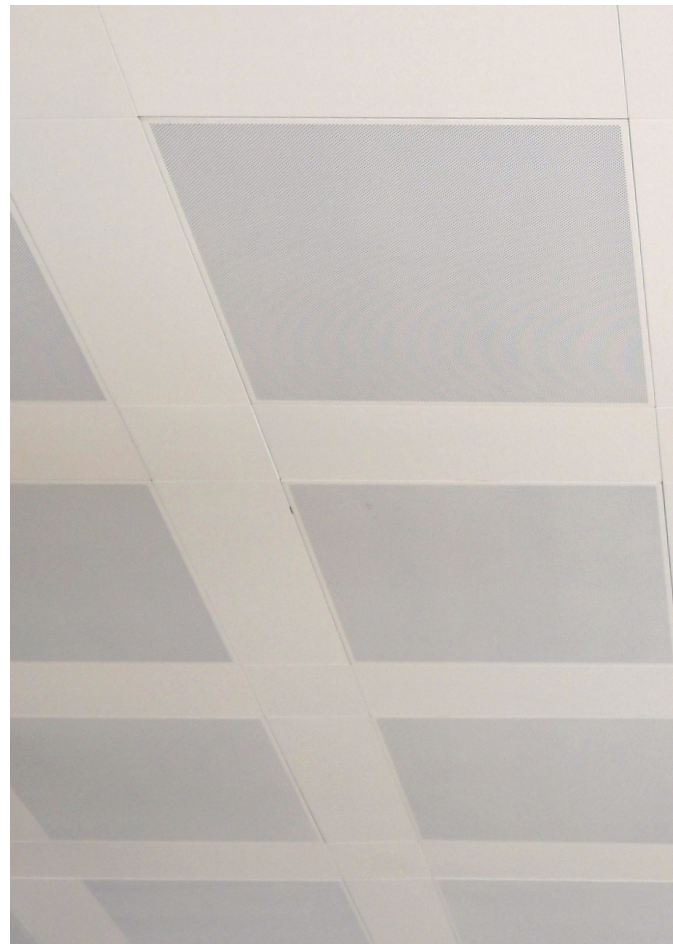
Based on the finish color and perforation pattern, LR up to 0.82

Surface Burning Characteristics per ASTM E 84

Class A

Additional Information

- Thickness depends on panel sizes and project requirements
- Consult USG Middle East technical team for other panel sizes



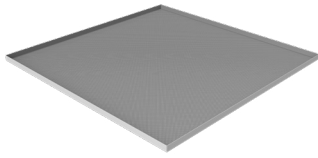
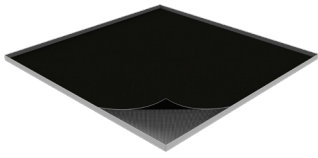
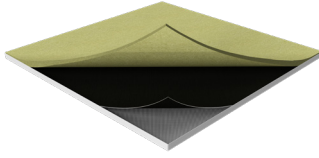
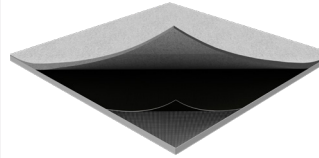
INTERSECTO CEILING ACOUSTICAL PERFORMANCE

USG Middle East supplies metal ceiling panels with a range of acoustical performance to meet the needs of all kinds of projects. A variety of sound-absorbing backing options are available. Consult with the USG Middle East technical team for further guidance.

PATTERN	OPEN AREA%	CELEBRETTO® METAL CEILING INFILL OPTIONS	CAC	NRC
A1	20%	Intersecto Metal Ceiling with Infill	35	0.70

• A1 Pattern: Diagonal Pattern, Hole Size Dia 1.8mm

INFILL OPTIONS*

Plain	Acoustic Fleece	Acoustic Fleece and Soft Fiber	Acoustic Fleece and Mineral Fiber
			

* Additional backer options available for NRC and CAC enhanced total acoustical performance

ITEM CODIFICATION

Lay In Panel

A: Aluminium
 S: Steel
 SS: Stainless Steel
 I: Intersecto
 L: Lay-In
 PA1: Perforated A1 Pattern
 Panel Dimensions
 10: 1.0mm Thickness
 R10: RAL 9010
 SF38: Soft Fiber Infill 38mm Thickness

AILPA1-60060010R10-SF38

Crossing Panel

S: Steel
 A: Aluminium
 SS: Stainless Steel
 I: Intersecto
 CP: Crossing Panel
 200: First Dimension
 1200: Second Dimension
 9: 0.9mm Thickness
 R10: RAL 9010

SI-CP-20012009R10

Crossing Box

S: Steel
 A: Aluminium
 SS: Stainless Steel
 I: Intersecto
 CB: Crossing Box
 200: 200X200mm
 9: 0.9mm Thickness
 R10: RAL 9010

SI-CB-2009R10