

CELEBRETTO®

ISLAND HOOK ON



CERTIFIED
ENVIRONMENTAL PRODUCT DECLARATION

HIGH SOUND ABSORPTION

CEILING ATTENUATION CLASS

PRODUCT CERTIFIED FOR ENVIRONMENTAL PRODUCT DECLARATION

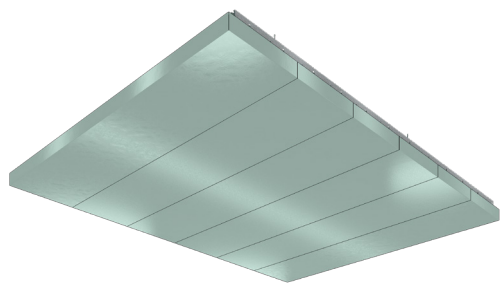
ISLAND HOOK ON DRAWINGS

FEATURES AND BENEFITS

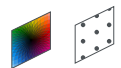
- Featuring a concealed island suspension ceiling system with unique design configurations.
- All island panels are demountable without special tools, allowing easy access to the plenum for simple maintenance.
- Configurable panel sizes and layouts offer the designer more freedom with their design.
- Certified for Environmental Product Declaration (EPD) as per ISO 14025.

APPLICATIONS

- Airports
- Train stations
- Commercial spaces
- Offices
- Lounges
- Open halls
- Hotel lobbies



AVAILABLE FINISHES

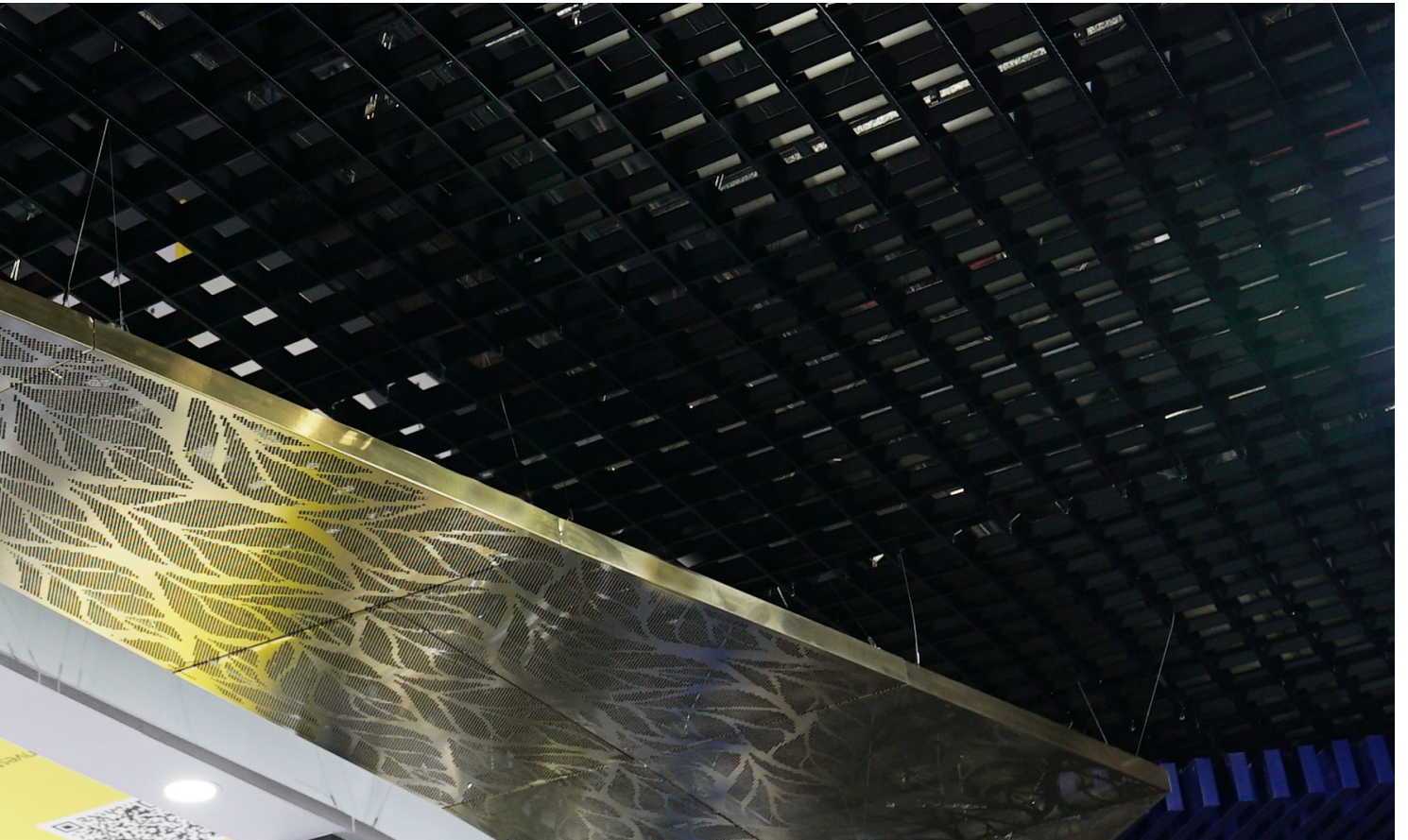


Explore our complete range of options in **CELEBRETTO® Colors, Finishes and Perforations Pattern** catalogue for detailed insights.

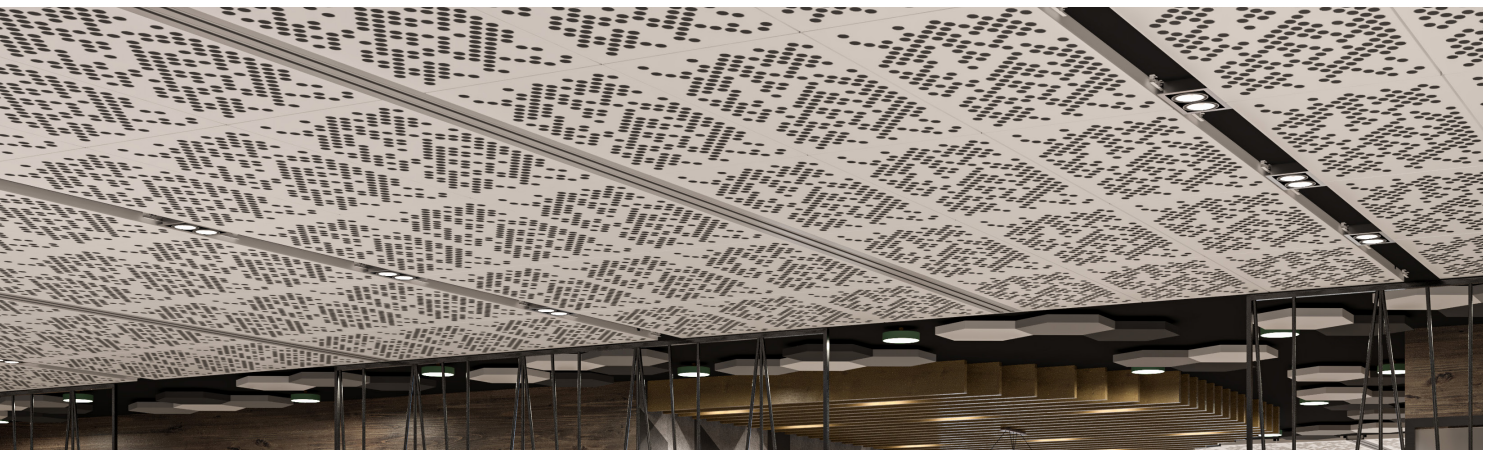
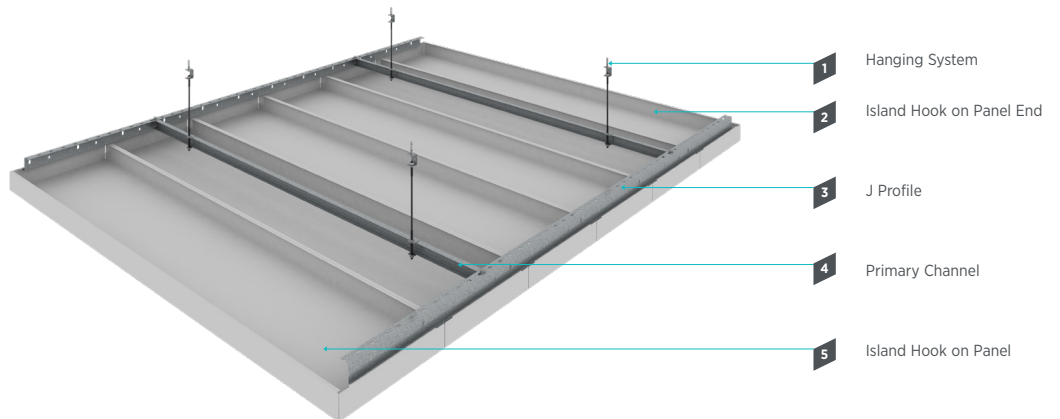
SOUND ABSORPTION

Frequency, Hz	125	250	500	1000	2000	4000	NRC*
A1 Pattern** with Acoustic Fleece	0.70	0.95	0.75	0.75	0.80	0.80	0.75
A1 Pattern** with Infill***	0.70	0.90	1.0	1.0	1.0	1.0	1.0

* Calculated to ASTM C 423-01
 ** A1 Pattern: Diagonal Pattern. Hole Size Dia: 1.8mm, Open Area: 20%
 *** Infill: Acoustic Fleece and 30mm Soft Fiber with Aluminium Foil



ISLAND HOOK ON SYSTEM DRAWINGS





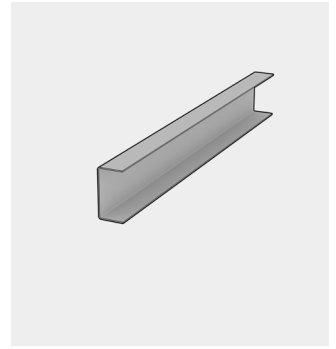
SYSTEM COMPONENTS



Island Hook-On Middle Panel



Island Hook-On End Panel

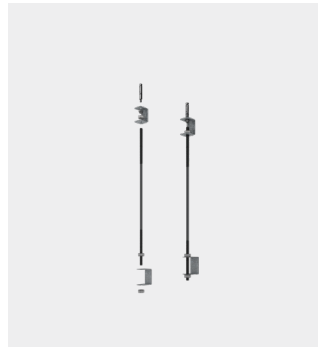


Primary Channel

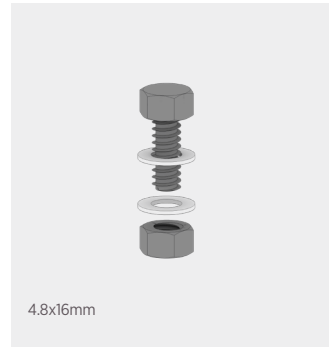


Galvanized Steel, H=51mm, L=2400mm

J-Profile



Hanging System



4.8x16mm

Bolt Pan Head

SYSTEM SPECIFICATION

Material Classification

Type C,
Form C1, C2,
Pattern A, B, C, G

Thickness

Powder coat finish: 0.6mm - 1.4mm
Wooden finish: 0.6mm

Panel Height

40mm up to 200mm

Panel Width

200mm to 600mm

Panel Length

Up to 2400mm

Edge (optional)

3mm black gasket

Color

Standard colors are RAL 9005, RAL 9006, RAL 9016.

Other RAL colors are available upon request.

Light Reflectance Coefficient [LR]

Based on the finish color and perforation pattern, LR up to 0.82

Surface Burning Characteristics per ASTM E 84

Class A

Additional Information

- Thickness depends on panel sizes and project requirements
- Consult USG Middle East technical team for other panel widths



ISLAND HOOK-ON CEILING ACOUSTICAL PERFORMANCE

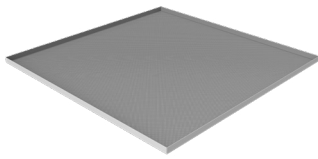
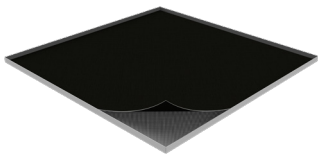
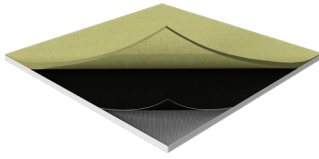
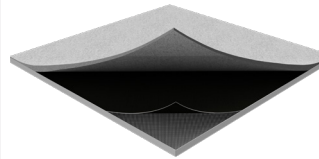
USG Middle East supplies metal ceiling panels with a range of acoustical performance to meet the needs of all kinds of projects. Various sound-absorbing backing options are available with performance up to 1.0 NRC and 34dB CAC. Consult with the USG Middle East technical team for further guidance.

PATTERN	OPEN AREA%	CELEBRETTO® METAL CEILING INFILL OPTIONS	CAC	NRC
A1	20%	Acoustic fleece	-	0.75
A1	20%	19mm Soft Fiber infill	-	0.90
A1	20%	15mm Mineral Fiber infill	32	-
A1	20%	Acoustic fleece with 30mm Stonewool & 19mm Mineral Fiber infill	32	0.90
A1	20%	Acoustic fleece with 25mm Glasswool & 12mm Gypsum infill	30	0.85
A1	20%	Acoustic fleece with 30mm Stonewool & Aluminum Foil	34	1.00
B2	16%	Acoustic fleece	-	0.60
15D	22%	Acoustic fleece	-	0.60
15D	22%	Acoustic fleece with 30mm Stonewool & Aluminum Foil	30	0.80
15E	11%	Acoustic fleece	-	0.65
15E	11%	Celebretto Metal Ceiling with acoustic fleece and 30mm Stonewool & Aluminum Foil	27	0.80
7E	1%	Celebretto Metal Ceiling with acoustic fleece	-	0.65
7E	1%	Celebretto Metal Ceiling with acoustic fleece and 30mm Stonewool & Aluminum Foil	26	0.90

- A1 Pattern: Diagonal Pattern, Hole Size Dia 1.8mm
- B2 Pattern: Even Pattern, Hole Size Dia 2.5mm
- 15D Pattern: Diagonal Pattern, Hole Size Dia 1.5mm

- 15E Pattern: Even Pattern, Hole Size Dia 1.5mm
- 7E Pattern: Even Pattern, Hole Size Dia 0.75mm

INFILL OPTIONS*

Plain	Acoustic Fleece	Acoustic Fleece and Soft Fiber	Acoustic Fleece and Mineral Fiber
			

* Additional backer options available for NRC and CAC enhanced total acoustical performance

ITEM CODIFICATION

A: Aluminium
 S: Steel
 SS: Stainless Steel
 IHO: Island Hook-On
 150: Panel Height
 PA1: Perforated A1 Pattern
 E: End Panel (optional)
 600: Panel Width
 1000: Panel Length
 7: Material Thickness (0.7mm Thickness)
 R10: RAL 9010
 SF25: Soft Fiber infill 25mm Thickness
 G: with Gaskets

AIHO150PA1-E-60010007R10-SF25G