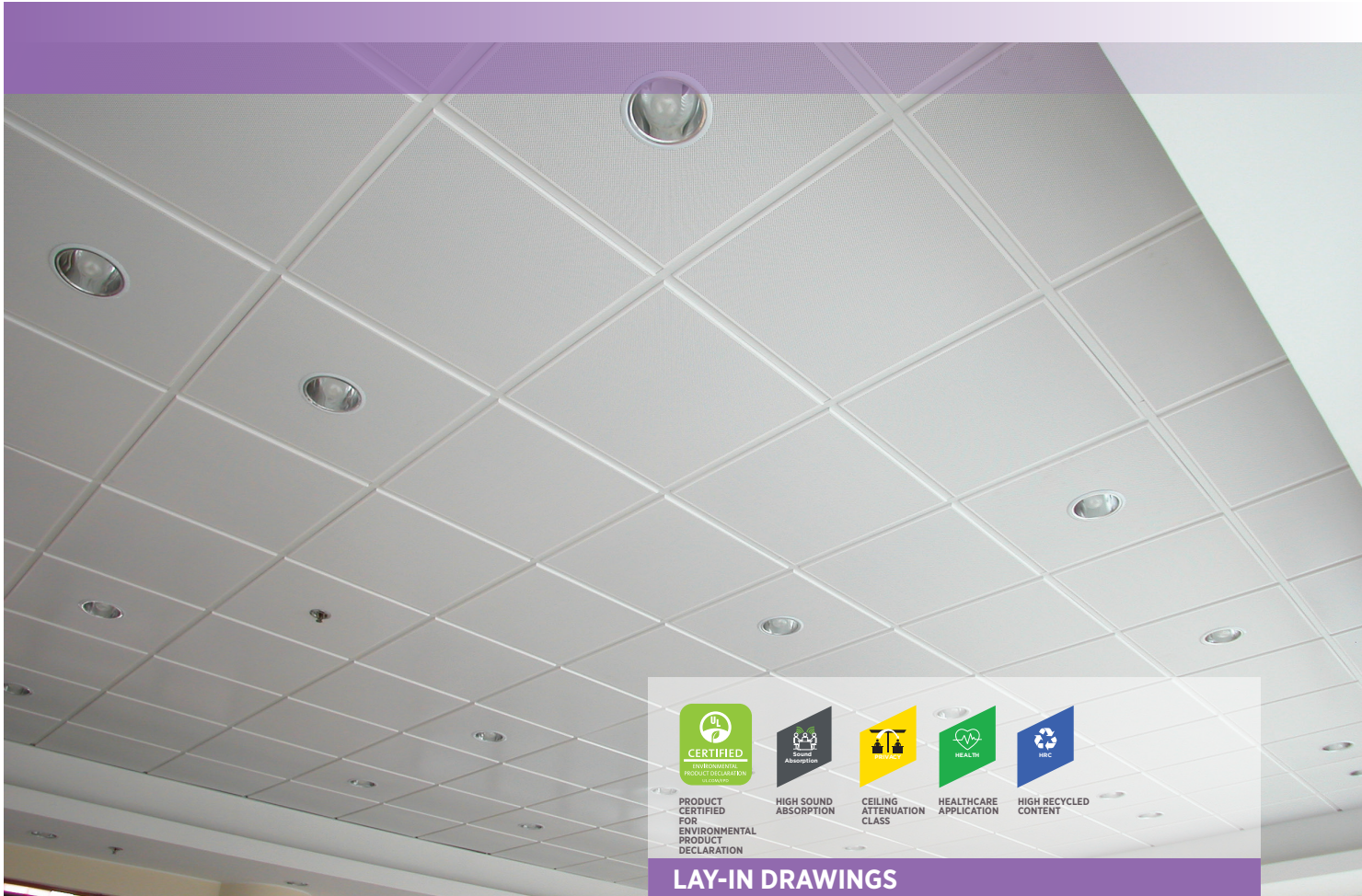


CELEBRETTO® LAY-IN METAL CEILING



CERTIFIED
ENVIRONMENTAL PRODUCT DECLARATION (EPD) COMPLIANT

HIGH SOUND ABSORPTION

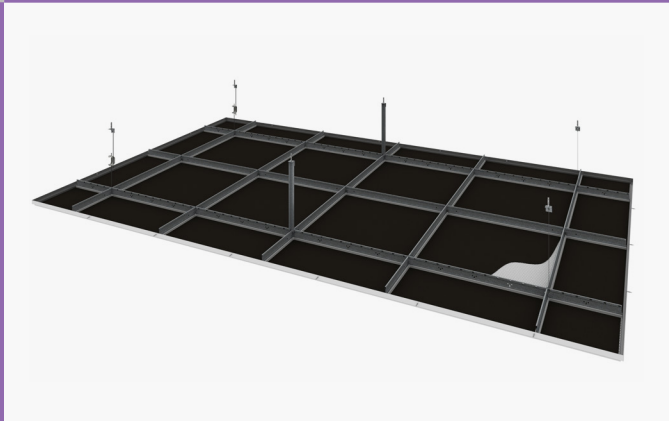
CEILING ATTENUATION CLASS

HEALTHCARE APPLICATION

HIGH RECYCLED CONTENT

PRODUCT CERTIFIED FOR ENVIRONMENTAL PRODUCT DECLARATION

LAY-IN DRAWINGS



AVAILABLE COLOR



Explore our complete range of options in **CELEBRETTO® Colors, Finishes and Perforations Pattern** catalogue for detailed insights.

FEATURES AND BENEFITS

- Durable and washable polyester powder finish.
- Wide range of standard perforation patterns.
- Wide range of optional wooden patterns.
- Easy access for service maintenance.
- Robust and easy to clean.
- High sound absorption and sound attenuation.
- Environmentally friendly and recyclable.
- Certified for Environmental Product Declaration (EPD) as per ISO 14025.

APPLICATIONS

- Transportation & airports
- Educational
- Healthcare
- Commercial buildings
- Hi-Rise & offices
- Financial & banking
- Malls & residential
- Kitchen & dietary
- Laundry
- Utility rooms

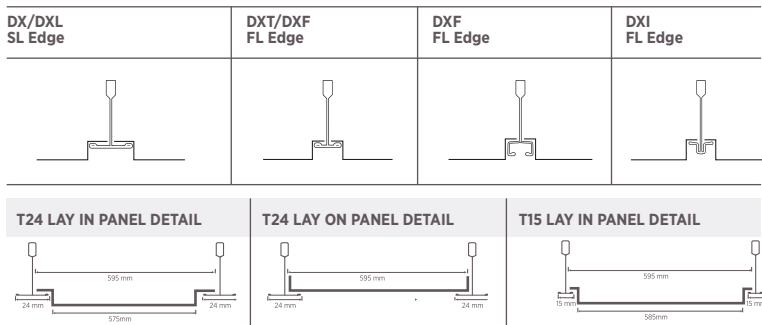
SOUND ABSORPTION

Frequency, Hz	125	250	500	1000	2000	4000	NRC*
A1 Pattern** with Acoustic Fleece	0.70	0.95	0.75	0.75	0.80	0.80	0.75
A1 Pattern** with Infill***	0.70	0.90	1.0	1.0	1.0	1.0	1.0

* Calculated to ASTM C 423-01
 ** A1 Pattern: Diagonal Pattern. Hole Size Dia: 1.8mm, Open Area: 20%
 *** Infill: Acoustic Fleece and 30mm Soft Fiber with Aluminium Foil



GRID PROFILE OPTIONS



ITEM CODIFICATION

A: Aluminum
S: Galvanized Steel
SS: Stainless Steel
L: Lay-In
LO: Lay-On
PA1: Perforated
W: Wide (24 grid)
N: Narrow (15 grid)
600: First Dimension
600: Second Dimension
6: Material Thickness (0.6mm thickness)
R16: RAL 9016 Powder Coated Finish

ALPA1W-6006006R16

SYSTEM SPECIFICATION

Lay-in Metal Ceiling by USG ME meets the requirements in accordance with ASTM E1264

Material Classification

Type C,
Form C1, C2,
Pattern A, B, C, G

Panel Size

300 x 300mm, 600 x 600mm,
600 x 1200mm

Panel Thickness

0.5 to 1.4mm

Panel Height

10mm, 20mm

Edge Detail Trim

Reveal [SL, FL]

Light Reflectance Coefficient [LR]

Based on the finish color and perforation pattern, LR up to 0.82

Color

Standard colors are RAL 9016, RAL9006 and RAL9010.
Other RAL colors are available upon request.
Wooden patterns are available upon request

Surface Burning Characteristics per

ASTM E 84

Class A

Infill Options

Plain
Acoustical Fleece
Acoustical Fleece and Glasswool
Acoustical Fleece and Mineral Fiber
Washability / Scrubbability as per ASTM D4828 & D2486
Exceeds 1000 Wash/Scrub Cycles without surface break or the extent of abrasion
Relevant LEED® Credit
EA Credit 1 | MR Credit 4 | MR Credit 5 | MR Credit 6 | IEQ Credit 3 | IEQ Credit 3.2 | IEQ Credit 4.6 | IEQ Credit 8.1 | IEQ Credit 9

LAY-IN CEILING ACOUSTICAL PERFORMANCE

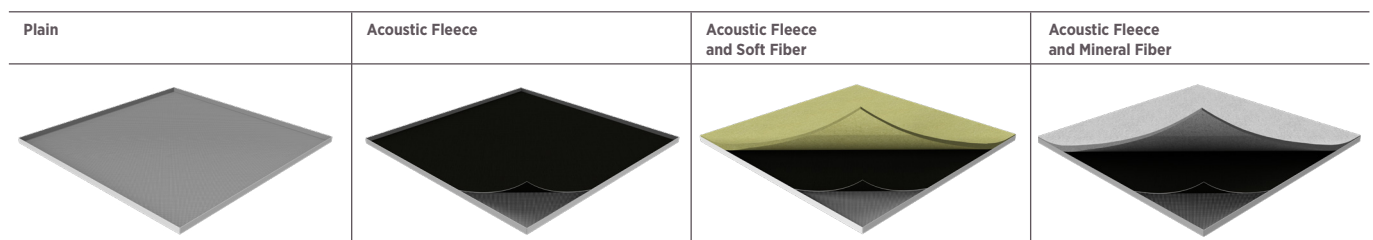
USG Middle East supplies metal ceiling panels with a range of acoustical performance to meet the needs of all kinds of projects. Various sound-absorbing backing options are available with performance up to 1.0 NRC and 34dB CAC. Consult with the USG Middle East technical team for further guidance.

PATTERN	OPEN AREA%	CELEBRETTO® METAL CEILING INFILL OPTIONS	CAC	NRC
A1	20%	Acoustic fleece	-	0.75
A1	20%	19mm Soft Fiber infill	-	0.90
A1	20%	15mm Mineral Fiber infill	32	-
A1	20%	Acoustic fleece with 30mm Stonewool & 19mm Mineral Fiber infill	32	0.90
A1	20%	Acoustic fleece with 25mm Glasswool & 12mm Gypsum infill	30	0.85
A1	20%	Acoustic fleece with 30mm Stonewool & Aluminum Foil	34	1.00
B2	16%	Acoustic fleece	-	0.60
15D	22%	Acoustic fleece	-	0.60
15D	22%	Acoustic fleece with 30mm Stonewool & Aluminum Foil	30	0.80
15E	11%	Acoustic fleece	-	0.65
15E	11%	Celebretto Metal Ceiling with acoustic fleece and 30mm Stonewool & Aluminum Foil	27	0.80
7E	1%	Celebretto Metal Ceiling with acoustic fleece	-	0.65
7E	1%	Celebretto Metal Ceiling with acoustic fleece and 30mm Stonewool & Aluminum Foil	26	0.90

- A1 Pattern: Diagonal Pattern, Hole Size Dia 1.8mm
- B2 Pattern: Even Pattern, Hole Size Dia 2.5mm
- 15D Pattern: Diagonal Pattern, Hole Size Dia 1.5mm

- 15E Pattern: Even Pattern, Hole Size Dia 1.5mm
- 7E Pattern: Even Pattern, Hole Size Dia 0.75mm

INFILL OPTIONS*



* Additional backer options available for NRC and CAC enhanced total acoustical performance