

CELEBRETTO® TORSION SPRING





CERTIFIED
ENVIRONMENTAL
PRODUCT DECLARATION
COMPLYING

PRODUCT
CERTIFIED
FOR
ENVIRONMENTAL
PRODUCT
DECLARATION



**Sound
Absorption**

HIGH SOUND
ABSORPTION



**CEILING
ATTENUATION
CLASS**



HEALTH

HEALTHCARE
APPLICATION

TORSION SPRING DRAWINGS

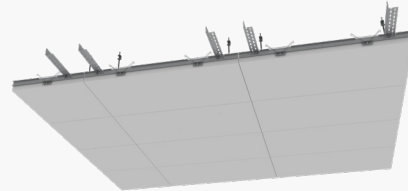
FEATURES AND BENEFITS

- Featuring a concealed suspension ceiling system with various configurations that can fit any contemporary interior design.
- All panels are demountable, allowing easy access to the plenum for easy maintenance.
- Configurable panel sizes and layouts allow designers flexibility in their designs.
- Available in two standard designs: triangular and rectangular.
- Certified for Environmental Product Declaration (EPD) as per ISO 14025.

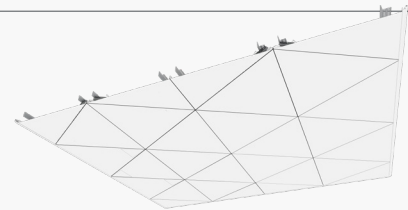
APPLICATIONS

- Airports
- Train stations
- Commercial spaces
- Offices
- Lounges
- Open halls
- Restaurants

RECTANGULAR



TRIANGULAR



AVAILABLE FINISHES



Explore our complete range of options in **CELEBRETTO®** Colors, Finishes and Perforations Pattern catalogue for detailed insights.

SOUND ABSORPTION

Frequency, Hz	125	250	500	1000	2000	4000	NRC*
A1 Pattern** with Acoustic Fleece	0.70	0.95	0.75	0.75	0.80	0.80	0.75
A1 Pattern** with Infill***	0.70	0.90	1.0	1.0	1.0	1.0	1.0

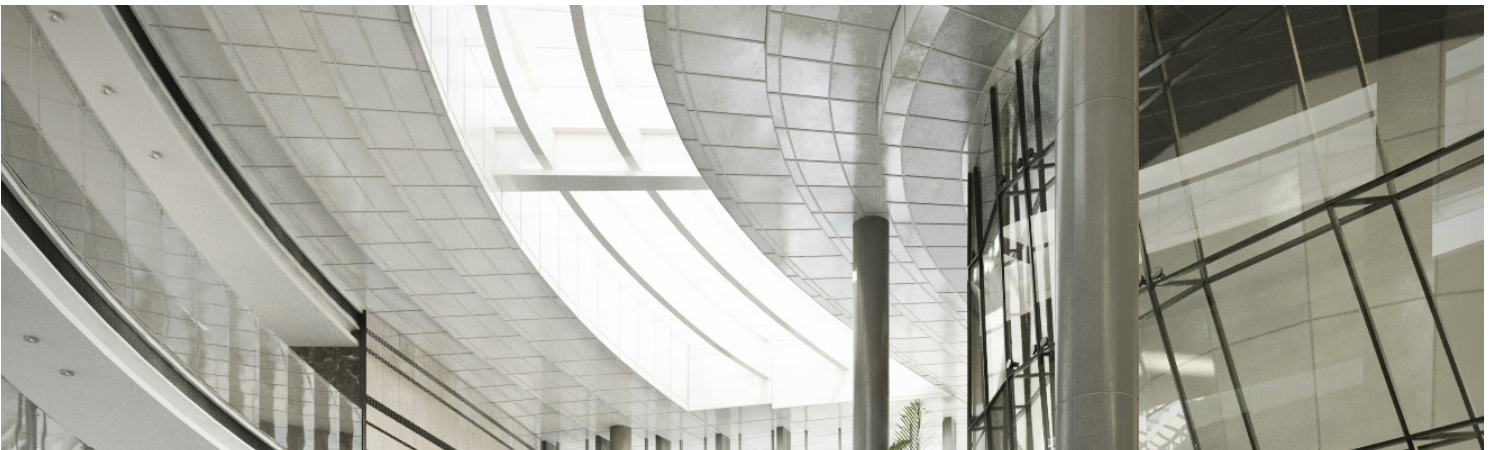
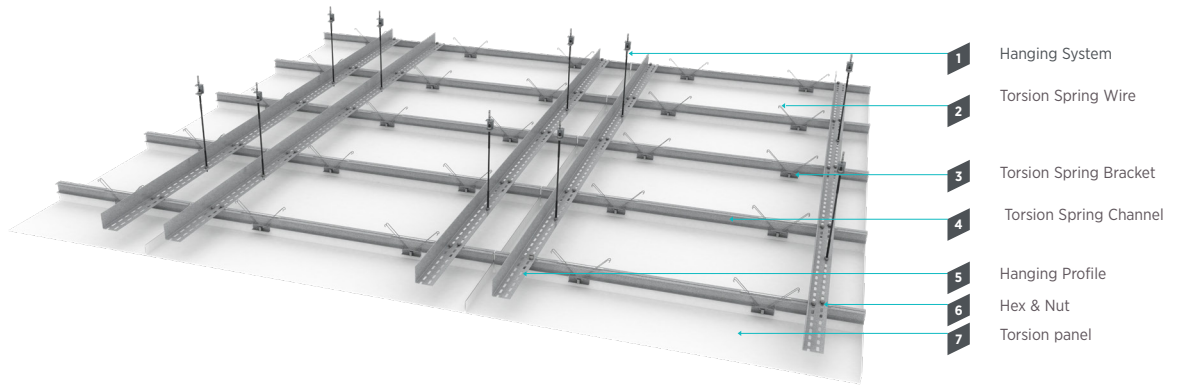
* Calculated to ASTM C 423-01

** A1 Pattern: Diagonal Pattern. Hole Size Dia: 1.8mm, Open Area: 20%

*** Infill: Acoustic Fleece and 30mm Soft Fiber with Aluminium Foil

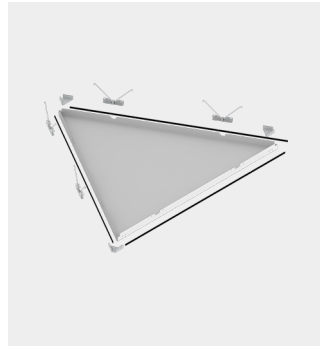


TORSION SPRING SYSTEM DRAWINGS





SYSTEM COMPONENTS



Torsion Spring Panel Option Design



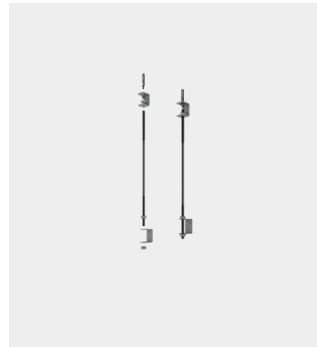
Primary Channel Slotted



Torsion Spring Bracket



Torsion Spring Channel



Hanging System



Torsion Spring Wire

SYSTEM SPECIFICATION

Material Classification

Type C,
Form C1, C2,
Pattern A, B, C, G

Thickness

Powder coat finish: 0.6mm – 1.4mm
Wooden finish: 0.6mm

Panel Height

40mm to 70mm

Rectangular Panel Width

200mm to 600mm

Rectangular Panel Length

Up to 2400mm

Triangular Panel

Up to 1200mm

Color

Standard colors are RAL 9005, RAL 9006, RAL 9016.

Other RAL colors are available upon request.

Light Reflectance Coefficient [LR]

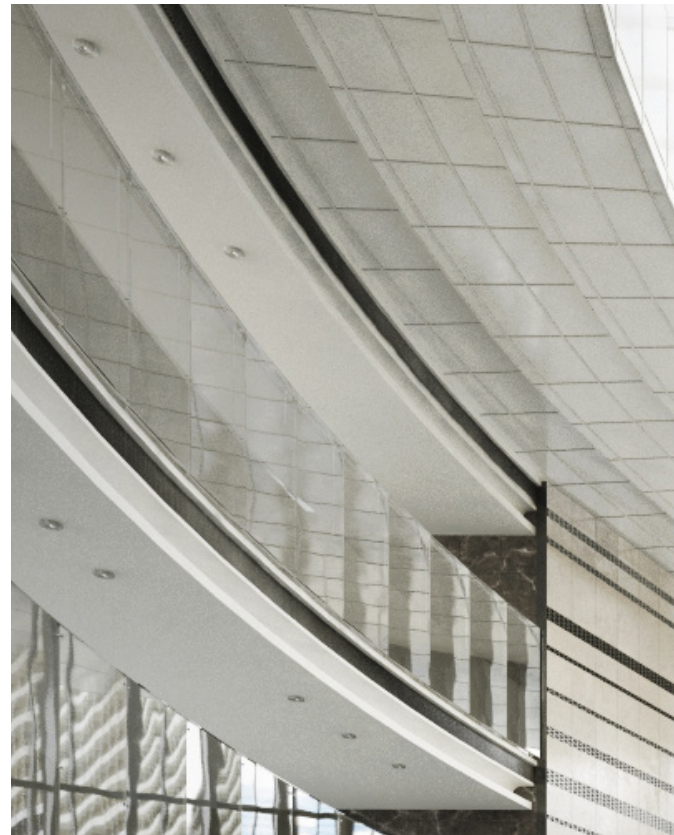
Based on the finish color and perforation pattern, LR up to 0.82

Surface Burning Characteristics per ASTM E 84

Class A

Additional Information

- Thickness depends on panel sizes and project requirements
- Consult USG Middle East technical team for other panel sizes



TORSION SPRING CEILING ACOUSTICAL PERFORMANCE

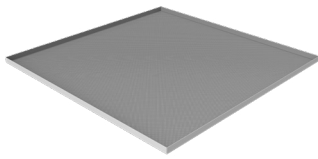
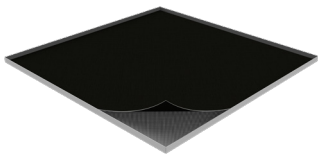
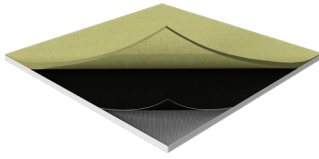
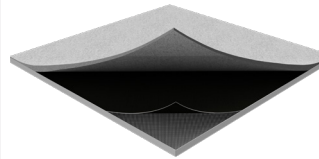
USG Middle East supplies metal ceiling panels with a range of acoustical performance to meet the needs of all kinds of projects. Various sound-absorbing backing options are available with performance up to 1.0 NRC and 34dB CAC. Consult with the USG Middle East technical team for further guidance.

PATTERN	OPEN AREA%	CELEBRETTO® METAL CEILING INFILL OPTIONS	CAC	NRC
A1	20%	Acoustic fleece	-	0.75
A1	20%	19mm Soft Fiber infill	-	0.90
A1	20%	15mm Mineral Fiber infill	32	-
A1	20%	Acoustic fleece with 30mm Stonewool & 19mm Mineral Fiber infill	32	0.90
A1	20%	Acoustic fleece with 25mm Glasswool & 12mm Gypsum infill	30	0.85
A1	20%	Acoustic fleece with 30mm Stonewool & Aluminum Foil	34	1.00
B2	16%	Acoustic fleece	-	0.60
15D	22%	Acoustic fleece	-	0.60
15D	22%	Acoustic fleece with 30mm Stonewool & Aluminum Foil	30	0.80
15E	11%	Acoustic fleece	-	0.65
15E	11%	Celebretto Metal Ceiling with acoustic fleece and 30mm Stonewool & Aluminum Foil	27	0.80
7E	1%	Celebretto Metal Ceiling with acoustic fleece	-	0.65
7E	1%	Celebretto Metal Ceiling with acoustic fleece and 30mm Stonewool & Aluminum Foil	26	0.90

- A1 Pattern: Diagonal Pattern, Hole Size Dia 1.8mm
- B2 Pattern: Even Pattern, Hole Size Dia 2.5mm
- 15D Pattern: Diagonal Pattern, Hole Size Dia 1.5mm

- 15E Pattern: Even Pattern, Hole Size Dia 1.5mm
- 7E Pattern: Even Pattern, Hole Size Dia 0.75mm

INFILL OPTIONS*

Plain	Acoustic Fleece	Acoustic Fleece and Soft Fiber	Acoustic Fleece and Mineral Fiber
			

* Additional backer options available for NRC and CAC enhanced total acoustical performance

ITEM CODIFICATION

A: Aluminium
S: Steel
SS: Stainless Steel
TS: Torsion Spring

PA1: Perforated
A1: Pattern

TR: Triangular

1100: Triangle Base

1000: Triangle Height

10: Material Thickness (1.0mm Thickness)

R10: RAL 9010 Powder Coated Finish

ATSPA1-TR-1100100010R10