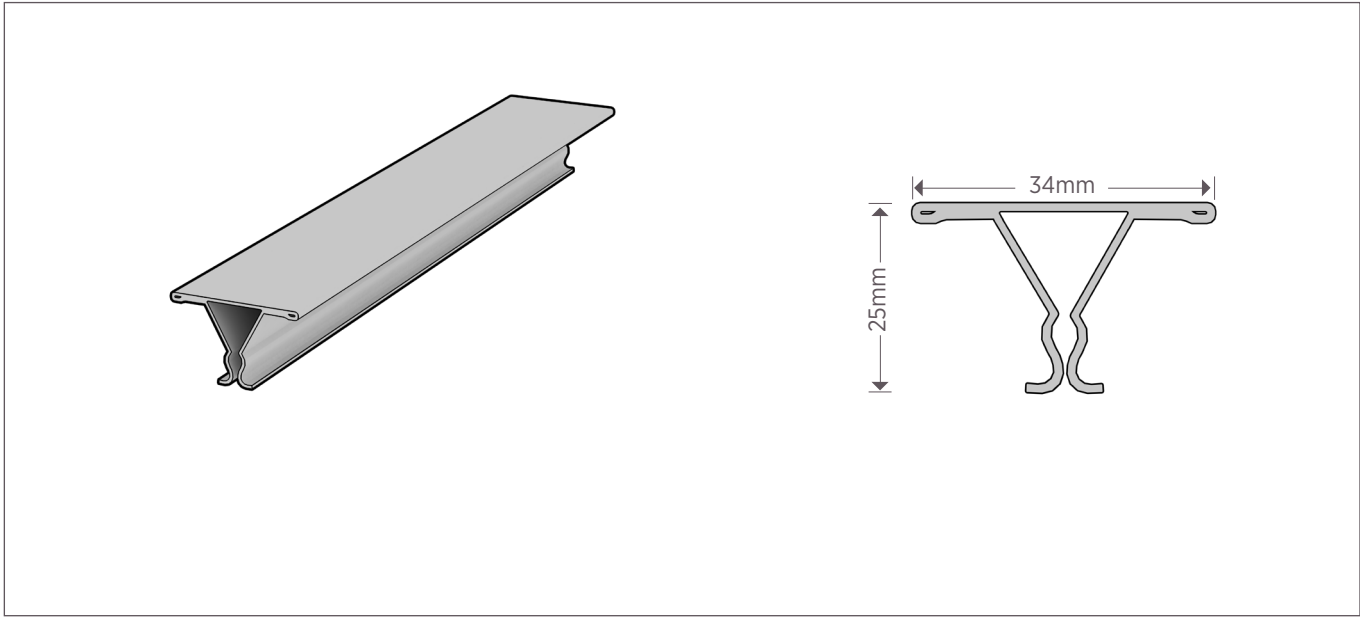


GRIDS AND SUSPENSION

SPRING T FOR METAL CEILING PANELS



PRODUCT CATEGORY

Spring T Channels are concealed and attached to main primary channels through wire connecting clips. Their main role is to clamp the edge of the ceiling panels tightly at a defined interval.

MATERIAL PROPERTIES

Yield stress, FY 33 ksi Ultimate, with G40-G90 Zinc coating

DIMENSIONS

Thickness: 0.55 and 0.60 mm

Length: 3,000 mm standard

Width: 34 mm

Height: 25 mm

ASTM & CODE STANDARDS

- Spring T Channels are produced to meet or exceed ASTM C635 & ASTM C636
- Galvanized sheet steel meets or exceeds requirements of ASTM A-653

SECTION & MATERIAL PROPERTIES TABLE NOTES

Type	Thickness (mm)	Spring T Cross Section Height (mm)	Spring T Depth (mm)	Section Area (mm ²)	Centroid (mm)	Moment of Inertia(I _{xx}) (mm ⁴)	Section Modulus (S _x)(mm ³)	Radius of Gyration (mm)	Steel Mechanical Properties		
									Yield Strength N/mm ²	Tensile Strength N/mm ²	Elongation (%)
Spring T	0.55	25	25	69.3	8.76	5,524.00	315.80	8.93	297-308	366-372	30-31
	0.60		25	75.6	8.76	5,978.00	342.13	8.89	297-308	366-372	30-31

GREEN BENEFITS AND RECYCLED CONTENT

LEED Credit MR 2 - USG products are manufactured from cold formed steel. Steel is 100% recyclable, which helps divert debris from the waste stream.

LEED Credit MR 4 - USG's steel products have a minimum of 25.5% post-consumer recycled content, and 6.8% pre-consumer.