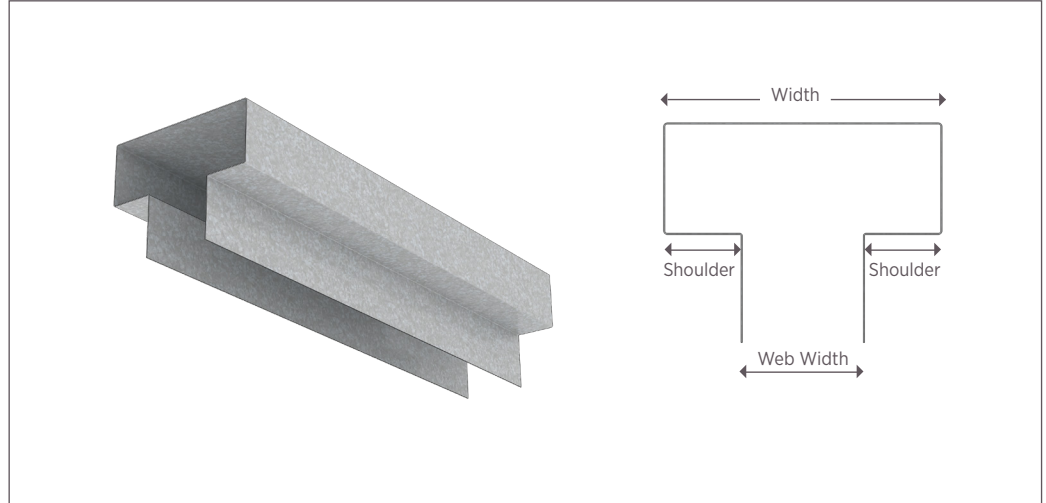


DEFLECTION FIRE TRACK - T SHAPE

DFT1-16 64-090

Deflection Fire Track	Fire Rating Rate	Shoulder	Web Width	Thickness
-----------------------	------------------	----------	-----------	-----------



DESCRIPTION

- Deflection fire track with offset shoulder to match gypsum board thickness. Secondary layer of gypsum board aligned with slab underside and fastened to the shoulder
- Used in Fire Rated wall assemblies for vertical deflection of floor beams or decks
- Achieves 1, 2, and 3 hours fire rating in wall assemblies
- Custom-made flange with web width equal to outside stud width for vertical deflection exceeding 30mm
- Facilitates controlled movement of ceiling/floor assembly relative to wall assembly
- Allows lateral movement of wall cladding attached to primary wall assembly
- Designed for wall heights above 3.5 meters

MATERIAL PROPERTIES

Yield stress, Fy 41 ksi Ultimate, with G90 Zinc coating

GEOMETRIC PROPERTIES

	Dimension (mm)
Thickness	0.90mm - 1.5mm
Width	70mm - 275mm
Web Width	Equal to the outside stud width
Shoulder	16mm & 32mm. Based on the gypsum board thickness

ASTM & CODE STANDARDS

- Deep Deflection Tracks double sided - Narrow and wide are produced to meet ASTM C645 and C955
- Galvanized sheet steel meets requirements of ASTM A-653
- For installation & storage information refer to ASTM C1007 & C754

GREEN BENEFITS

- LEED Credit MR 2 - USG products are manufactured from cold-formed steel. Steel is 100% recyclable, which helps divert debris from the waste stream.
- LEED Credit MR 4 - USG's steel products have a minimum of 25.5% post-consumer recycled content, and 6.8% pre-consumer.

REFERENCES

For further health and safety instructions, refer to the Safety Data Sheet (SDS) for this product, available from your USG Middle East sales office or USGme.com

Disclaimer:
Information contained in this document is subject to change without prior notice due to our ongoing product development. We recommend referring to the website usgme.com for the most up-to-date and accurate product information.

©2024 Factory of USG Middle East LTD. Co. All rights reserved.

