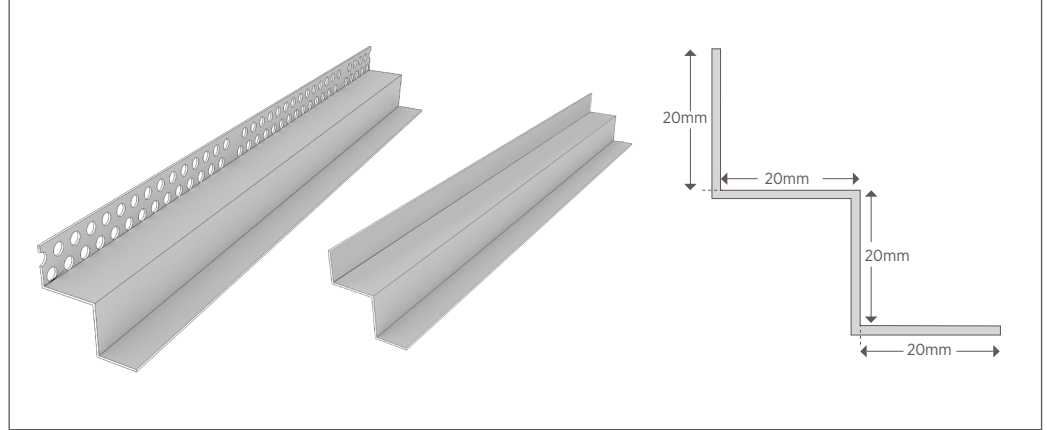


# DRYWALL W ANGLE

WA2020-060

W Angle	Width	Width	Thickness



**DESCRIPTION**

Create a reveal edge look at ceiling perimeter installations whilst helping to hide imperfections in the abutting walls. The W angle considered as part of the drywall ceiling attached to the wall.

**PRODUCT DATA**

W-Shape 20x20x20x20mm

**Length:** Standard 3000mm - 3600mm. Additional lengths are available upon request

**Perforation:** Plain and perforated

**Thickness:** Plain 0.45mm - 0.90mm  
Perforated 0.45mm - 0.60mm

**RAW MATERIALS**

- Galvanized steel G40-G90

**STEEL GRADE**

Yield stress, Fy 33 ksi Ultimate

**ASTM & CODE STANDARDS**

- Shadow Angles are produced to meet ASTM C645, C635 and C955
- Galvanized sheet steel meets requirements of ASTM A-653
- For installation & storage information refer to ASTM C1007 & C754

**GREEN BENEFITS**

- LEED Credit MR 2 - USG products are manufactured from cold-formed steel. Steel is 100% recyclable, which helps divert debris from the waste stream.
- LEED Credit MR 4 - USG's steel products have a minimum of 25.5% post-consumer recycled content, and 6.8% pre-consumer.

**REFERENCES**

For further health and safety instructions, refer to the Safety Data Sheet (SDS) for this product, available from your USG Middle East sales office or **USGme.com**

**Disclaimer:**

Information contained in this document is subject to change without prior notice due to our ongoing product development. We recommend referring to the website **usgme.com** for the most up-to-date and accurate product information.

©2024 Factory of USG Middle East LTD. Co. All rights reserved.