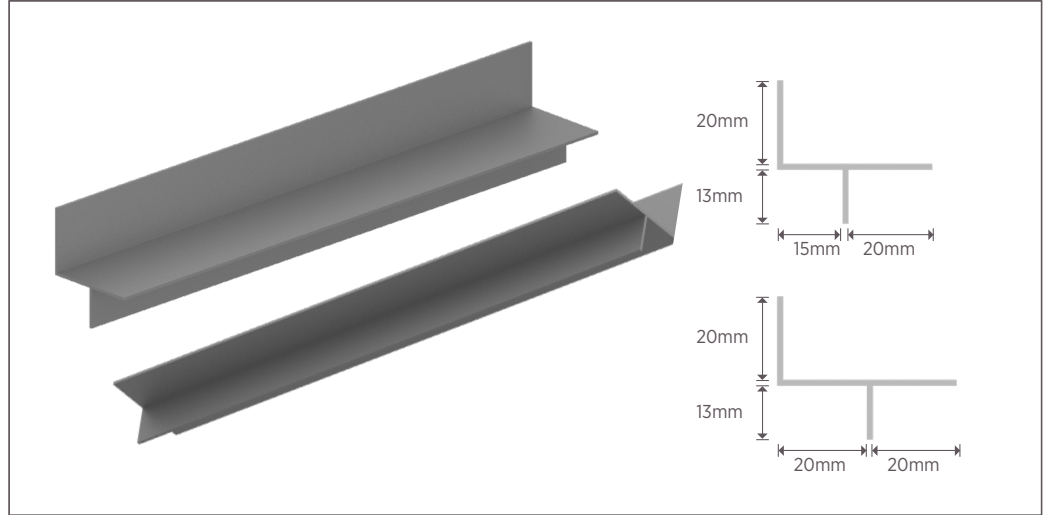


F PROFILE SHADOW ANGLE

FP15 13-120			
F Profile	Exposed Width	Lip Height	Thickness



DESCRIPTION

The F Profile Shadow Angle, crafted from high-quality aluminum alloy, offers a superior solution for drywall ceiling perimeter installations. Available in two exposed widths, 15mm and 20mm, this product ensures many design integration. With a lip height of 13mm, it guarantees a secure fit while maintaining a discreet appearance. Suitable for both direct and indirect suspension, it creates concealed ceilings with a sleek, modern look. This profile not only enhances aesthetics but also stabilizes and defines ceiling perimeters. Its compatibility with various ceiling systems, along with simple installation, makes the F Profile Shadow Angle an ideal choice for seamlessly sophisticated ceiling designs.

PRODUCT DATA

Property	FP1513-120	FP2013-120
Size	20mm x 15mm x 20mm x 13mm	20mm x 20mm x 13mm
Length	6m	3m
Thickness	1.2mm	1.2mm
Finish	Powder Coated Aluminium RAL9003/9010/9016	Powder Coated Aluminium RAL9003/9010/9016
Material	Aluminum Alloy : 6063 ,Temper T6	Aluminum Alloy : 6063 ,Temper T6

CODE STANDARDS

Comply with BS 1474:1987 & BS EN 573-3:2013

Disclaimer:

Information contained in this document is subject to change without prior notice due to our ongoing product development. We recommend referring to the website usgme.com for the most up-to-date and accurate product information.

©2024 Factory of USG Middle East LTD. Co. All rights reserved.