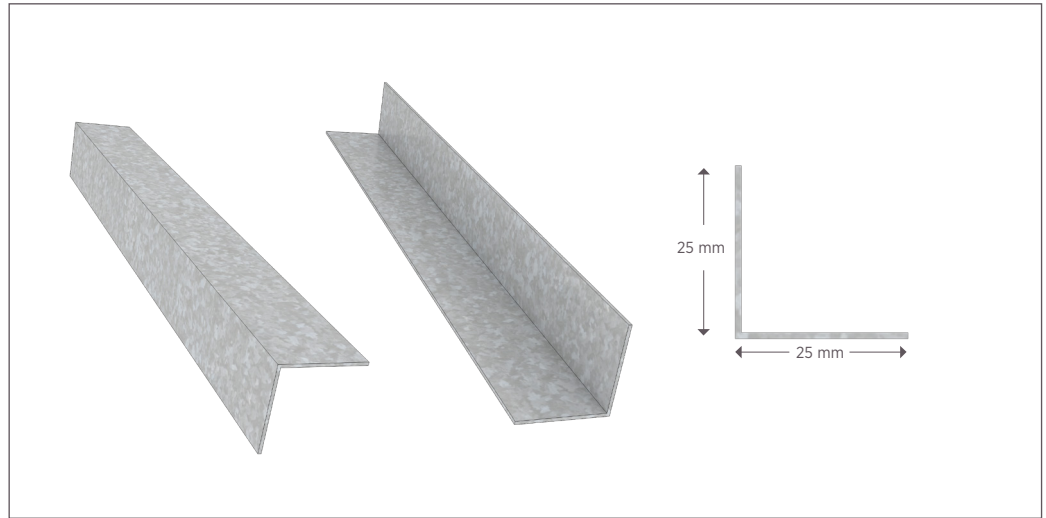


PERIMETER ANGLE DRYWALL SUSPENSION

PA2525-060

Perimeter Angle	Width 1	Width 2	Thickness
-----------------	---------	---------	-----------



DESCRIPTION

- Used on the perimeter of the Drywall ceiling suspension systems and optional as suspension hangers.
- Also it is used along with primary channels to provide horizontal bridging to resist rotation and axial loads in wall applications.

MATERIAL PROPERTIES

Yield stress, Fy 33 ksi Ultimate, with G40-G90 Zinc coating

ASTM & CODE STANDARDS

- Perimeter Angle are produced to meet ASTM C645 and C955
- Galvanized sheet steel meets requirements of ASTM A-653
- For installation & storage information refer to ASTM C1007 & C754

SECTION & MATERIAL PROPERTIES

Type	Thickness (mm)	Width (mm)	Section Area (mm ²)	Centroid (mm)	Moment of Inertia(Ixx) (mm ⁴)	Section Modulus (Sx)(mm ³)	Steel Mechanical Properties		
							Yield Strength N/mm ²	Tensile Strength N/mm ²	Elongation (%)
Perimeter Angle	0.45	25 / 25	22.05	6.36	1,433.00	76.90	297-308	366-372	28-29
	0.50	25 / 25	24.5	6.38	1,589.00	85.32	297-308	366-372	29-30
	0.55	25 / 25	26.95	6.39	1,744.00	93.69	297-308	366-372	29-30
	0.60	25 / 25	29.4	6.4	1,898.00	102.00	297-308	366-372	29-30
	0.70	25 / 25	34.3	6.43	2,203.80	118.50	297-308	366-372	30-31
	0.80	25 / 25	39.2	6.45	2,506.83	135.14	297-308	366-372	30-31
	0.90	25 / 25	44.1	6.48	2,807.00	151.50	297-308	366-372	30-31
	1.00	25 / 25	49	6.5	3,104.00	167.80	297-308	366-372	30-31
	1.20	25 / 25	58.8	6.55	3,690.20	200.00	297-308	366-372	30-31
	1.50	25 / 25	73.5	6.63	4,548.83	247.55	297-308	366-372	31-32

PACKAGING

	Perimeter Angle- Drywall Suspension
0.45mm - 0.8mm	1000Pcs
0.9mm - 1.5mm	750Pcs

GREEN BENEFITS AND RECYCLED CONTENT

- LEED Credit MR 2 – USG products are manufactured from cold formed steel. Steel is 100% recyclable, which helps divert debris from the waste stream.
- LEED Credit MR 4 – USG’s steel products have a minimum of 25.5% post-consumer recycled content, and 6.8% pre-consumer.

REFERENCES

For further health and safety instructions, refer to the Safety Data Sheet (SDS) for this product, available from your USG Middle East sales office or **USGme.com**

Disclaimer:

Information contained in this document is subject to change without prior notice due to our ongoing product development. We recommend referring to the website **usgme.com** for the most up-to-date and accurate product information.

©2024 Factory of USG Middle East LTD. Co. All rights reserved.

